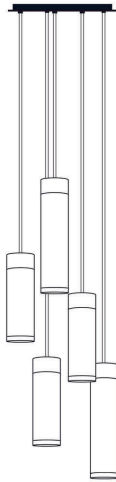


Patrone Pendant Cluster 5-Light



Installations Manual

We hope you will enjoy your new Patrone Lighting, designed by Kasper Thorup, and follow these instructions to ensure correct installation. For any questions, please contact us: info@thorupcph.com

Please read these instructions carefully to ensure that the product is used in accordance with its intended purpose only. For installation we advise you to consult a professionally qualified electrician.

Thorup Copenhagen is not responsible for any faults or damages caused by not following these instructions correctly. Do not modify this lamp in any way.

The lamps are crafted by local artisans in Copenhagen. Due to the hand-made process, each product is unique and variations may occur.

For indoor use only
LED GU10 bulb (not included)
Compatible with bulb of energy class A++
3/35 Watts / Max 4/50 Watts

Content

- 3 x Pendant lamps 200 mm fitted with 3 m textile cord
- 2 x Pendant lamps 300 mm fitted with 3 m textile cord
- Baldakin with five outlets, matt black D: 330 mm
- White gloves (Wear the gloves when handling the untreated brass surface).

Tools needed

- Bulb Type: LED GU10

Safety Instructions

- Please read the instructions carefully before commencing assembly.
- Installation should be carried out in accordance with local safety regulations.
- Do not change the lightbulb while the fixture is switched on.
- The lamp is intended for indoor interior use only.
- In order to prevent damage, please check walls for cables before drilling holes.

Materials

Untreated brass is an honest material with an innate character that will gain natural, beautifying patina over time. The material will instantly oxidize when exposed to air, humidity and other external stimuli and brass discoloration will occur. This is not a flaw, but should be considered as unique characteristics of the natural and vivid material.

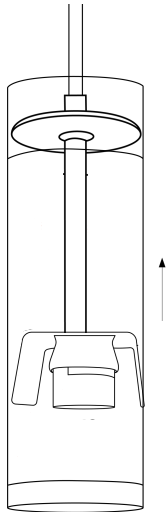
The browned and black-browned version has been undergoing a browning surface treatment, that enhances the look with a refined finish. Due to the individually, hand-made material treatment variations in the products may occur, making each item unique.

Care & Maintenance

- This product is made from solid brass. For regular cleaning, use a soft, dry cloth without loose fibres.
- Do not use a sponge, polishing creams and/or cloths, chemical or abrasive cleaners and avoid using water.
- To keep the bright finish of the solid brass surface, we recommend cleaning the fixture with our Brass Care Kit. For more info on Care & Maintenance visit: www.thorupcopenhagen.com

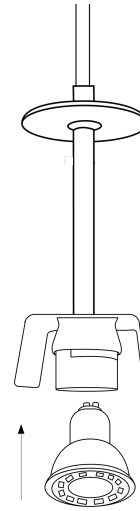
CE   IP20

INSTALLATION INSTRUCTIONS



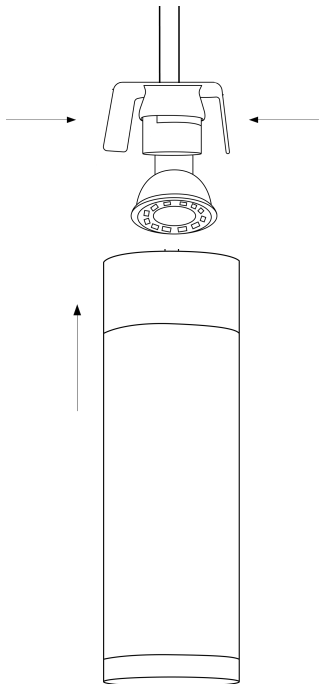
Step 1

Carefully pull the cord upwards to release the insert from the fixture. **Note:** Use the white gloves for the solid brass version.



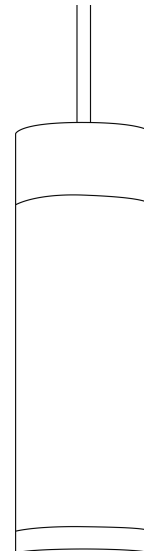
Step 2

Install the LED bulb firmly by pushing it upwards and carefully turn clockwise until it is fixed in place. Compatible with standard LED GU10 bulbs.



Step 3

Install the shade, by gently pressing the two sides inwards to enclose the insert with the fixture.



Step 4

The Patrone Pendant Lamp emits glare-free, downwardly directed light, creating sophisticated ambience in any room.