

DATA SHEET

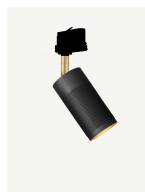
Patrone Ceiling Spotlight For Track



CS1022
Brass



CS1044
Browned



CS1066
Black-browned

Mounting

Compatible with most standard Global 1-phase track adaptor and track (not included). For installation we advise you to consult a professionally qualified electrician.

Design Features

Provides ambient, accent and task lighting
Compatible with standard GU10 LED
The adjustable and rotational cylinder luminaire emits glare-free, downwardly directed light
Available in pure brass, browned brass and black-browned brass
Part of the Patrone Lighting Series
Designed, crafted and finished by hand in Copenhagen, Denmark

Materials

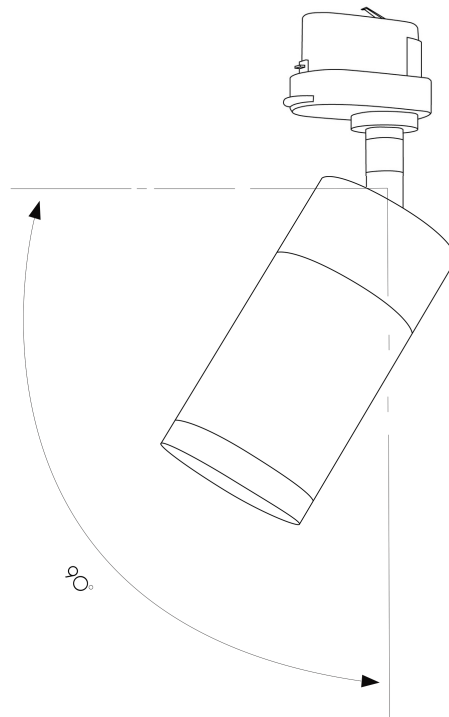
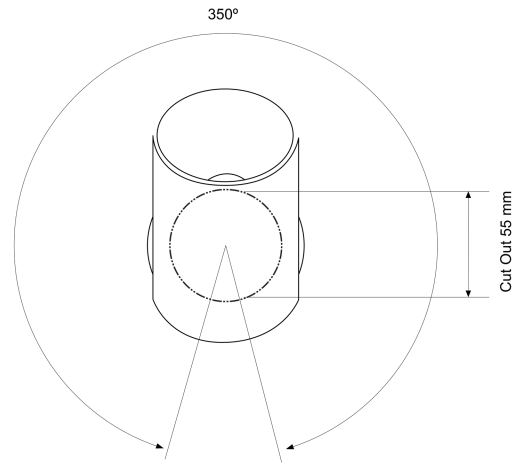
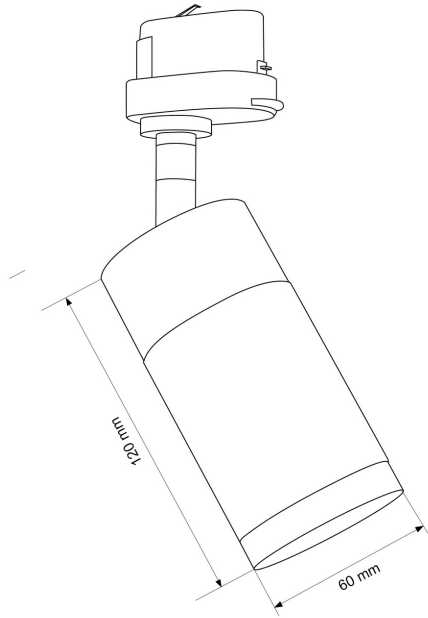
The fixture of the lamp is made from solid brass. An individually surface treatment of each fixture enhances the material with a refined and unique finish. Variations in colour may occur and must be considered as an inherent and unique part of the hand-finished product.

Category	Lighting
Product Type	Ceiling lamp
Product Name	Patrone Ceiling Light For Track
Main Material	Solid Brass
Inner / Outer shade	Brass (solid, browned or blackened)
Dimensions	D: 60 mm H: 120 mm
Net Weight (Kg)	0,36
Tilt adjustable angle (°)	90
Rotation adjustable angle (°):	330-350
Trackspot	Standard 1-phase (not included)
Track Adaptor	Standard 1-phase (not included)
Environment	Indoor
Spare Parts (not included)	Global 1-phase track Global 1-phase track adaptor Brass Care Kit
Master Packaging	1
Dimensions Packaging	H: 250 mm x D: 80 mm
Gross Weight (Kg)	0,48
Packaging Type	Black tube box
Light Source	GU10 LED max 4/50 Watts
Voltage	220-240V - 50Hz
Bulb Included	No
Switched	No
Dimmer Compatible	Yes
Certification	CE, Class II
Rating	IP20
Variants	3
Lead Time	3 weeks
Design	Kasper Thorup
Design year	2022
Country of Origin	Denmark

CE   IP20

PRODUCT ELEVATIONS

Patrone Ceiling Spotlight For Track



Please note that some dimensions may vary slightly due to manufacturing tolerances.