

DATA SHEET

Patrone Recessed Ceiling Spotlight



C1022
Brass

C1044
Bronned

C1066
Black-browned

Mounting

Semi-recessed. Mounting box with two extendible hanger bars to be installed to ceiling cut-out of D: 55 mm. For installation we advise you to consult a professionally qualified electrician.

Design Features

Provides ambient, accent and task lighting

Compatible with standard GU10 LED

The adjustable and rotational cylinder luminaire emits glare-free, downwardly directed light

Available in pure brass, bronned brass and black-browned brass

Part of the Patrone Lighting Series

Designed, crafted and finished by hand in Copenhagen, Denmark

Materials

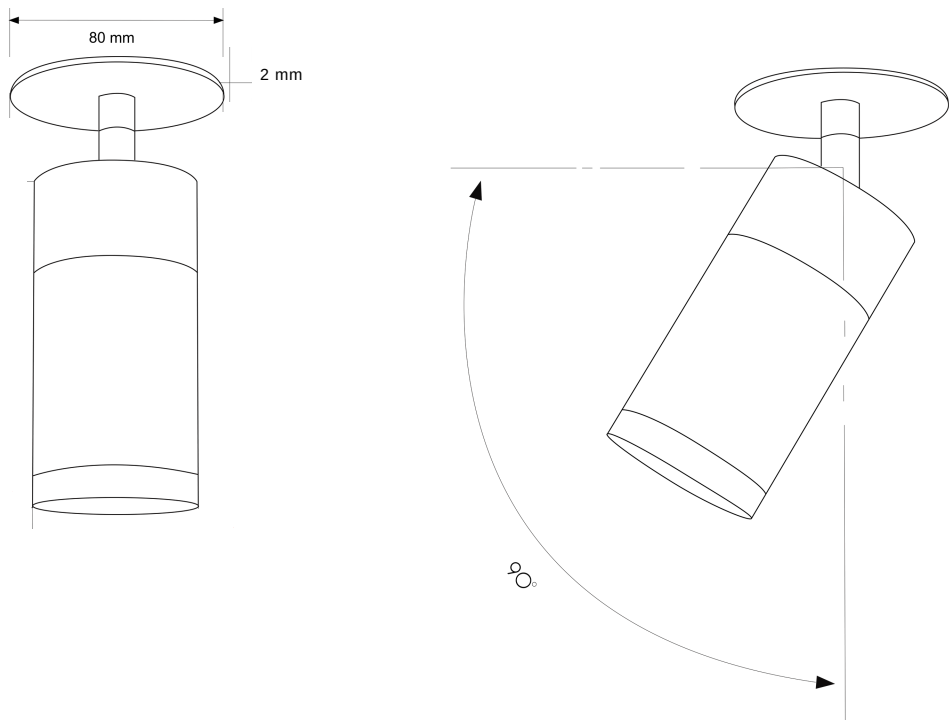
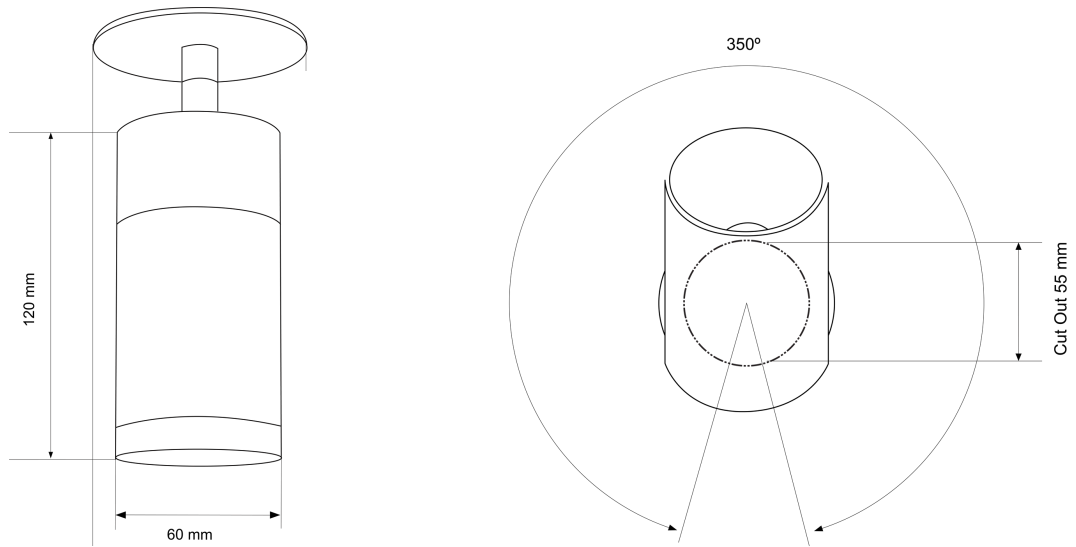
The fixture of the lamp is made from solid brass. An individually surface treatment of each fixture enhances the material with a refined and unique finish. Variations in colour may occur and must be considered as an inherent and unique part of the hand-finished product.

Category	Lighting
Product Type	Ceiling lamp
Product Name	Patrone Recessed Ceiling Spotlight
Main Material	Solid Brass
Inner / Outer shade	Brass (solid, bronned or blackened)
Cord	Textile cord, black
Dimensions	D: 60 mm H: 120 mm
Coverplate	D: 80 mm x H: 2 mm
Net Weight (Kg)	0,46
Tilt adjustable angle (°)	90
Rotation adjustable angle (°):	330-350
Cut-Out	55 mm (Max. 58 mm)
Environment	Indoor
Spare Part	Brass Care Kit (not included)
Master Packaging	1
Dimensions Packaging	H: 200 mm x D: 150 mm
Gross Weight (Kg)	0,70
Packaging Type	Black tube box
Light Source	GU10 LED max 4/50 Watts
Voltage	220-240V - 50Hz
Bulb Included	No
Switched	No
Dimmer Compatible	Yes
Certification	CE, Class II
Rating	IP20
Variants	3
Lead Time	3 weeks
Design	Kasper Thorup
Design year	2022
Country of Origin	Denmark

CE   IP20

PRODUCT ELEVATIONS

Patrone Recessed Ceiling Spotlight



Please note that some dimensions may vary slightly due to manufacturing tolerances.