

DATA SHEET

Patrone Ceiling Spotlight Canopy



CM1022
Brass



CM1044
Browned



CM1066
Black-browned

Mounting

Mounted directly to finished surface with the circular canopy.
Standard configured as hard-wired to be installed directly, but can be re-configured to plug-in.

Design Features

Provides ambient, accent and task lighting
Compatible with standard GU10 LED
The adjustable shade emits glare-free, downwardly directed light
Available in pure brass, browned brass and black-browned brass
Part of the Patrone Lighting Series
Designed, crafted and finished by hand in Copenhagen, Denmark

Materials

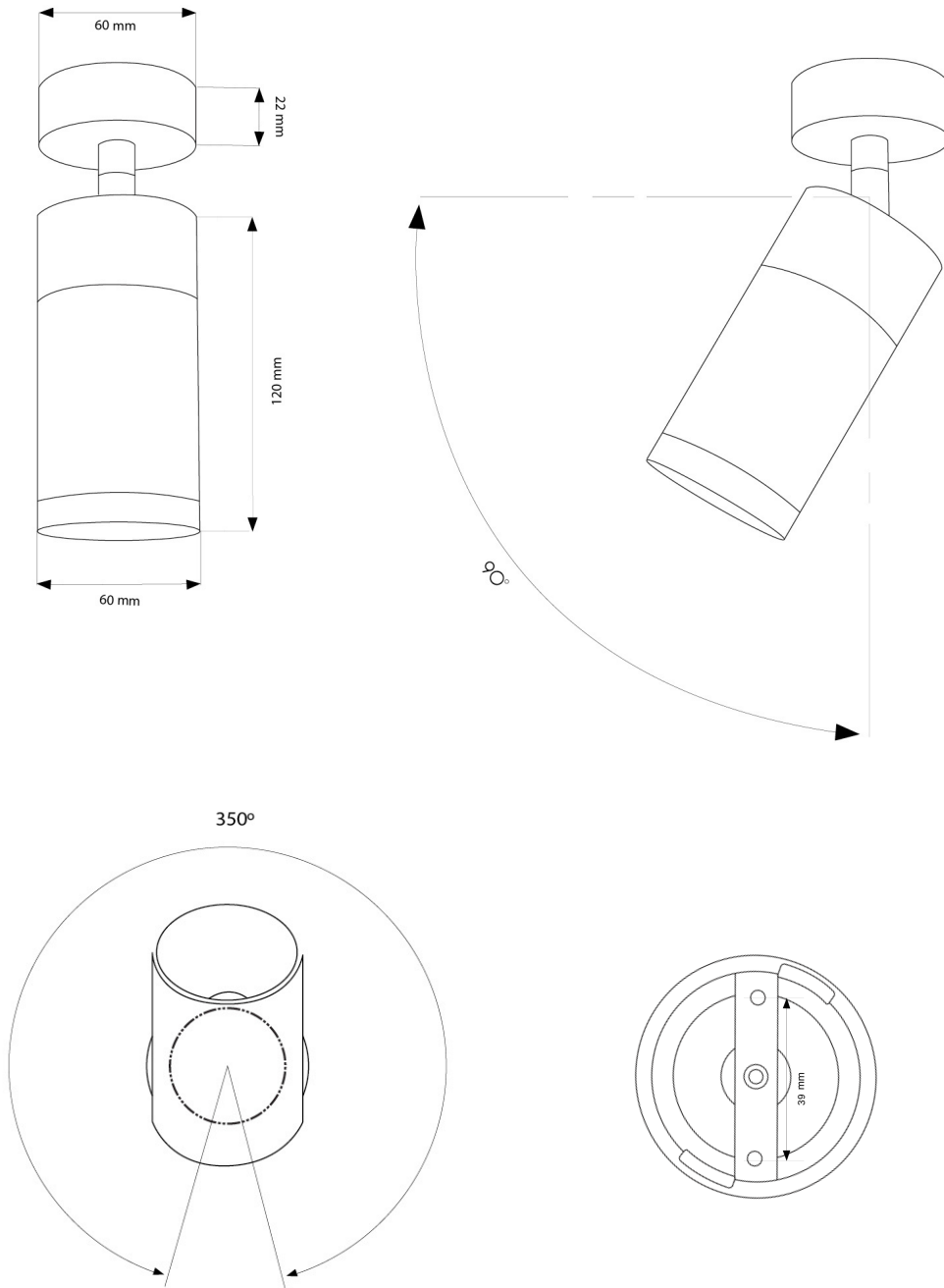
The fixture of the lamp is made from solid brass. An individually surface treatment of each fixture enhances the material with a refined and unique finish. Variations in colour may occur and must be considered as an inherent and unique part of the hand-finished product.

Category	Lighting
Product Type	Ceiling lamp
Product Name	Patrone Ceiling Spotlight Canopy
Main Material	Solid Brass
Canopy	POM, black
Inner / Outer shade	Brass (solid, browned or blackened)
Dimensions	D: 60 mm H: 120 mm
Canopy	D: 60 mm x H: 22 mm
Net Weight (Kg)	0,41
Tilt adjustable angle (°)	90
Rotation adjustable angle (°):	330-350
Environment	Indoor
Spare Part	Brass Care Kit (not included)
Master Packaging	1
Dimensions Packaging	H: 250 mm x D: 80 mm
Gross Weight (Kg)	0,53
Packaging Type	Black tube box
Light Source	GU10 LED max 4/50 Watts
Voltage	220-240V - 50Hz
Bulb Included	No
Switched	No
Dimmer Compatible	Yes
Certification	CE, Class II
Rating	IP20
Variants	3
Lead Time	3 weeks
Design	Kasper Thorup
Design year	2022
Country of Origin	Denmark

CE   IP20

PRODUCT ELEVATIONS

Patrone Ceiling Spotlight Canopy



Please note that some dimensions may vary slightly due to manufacturing tolerances.